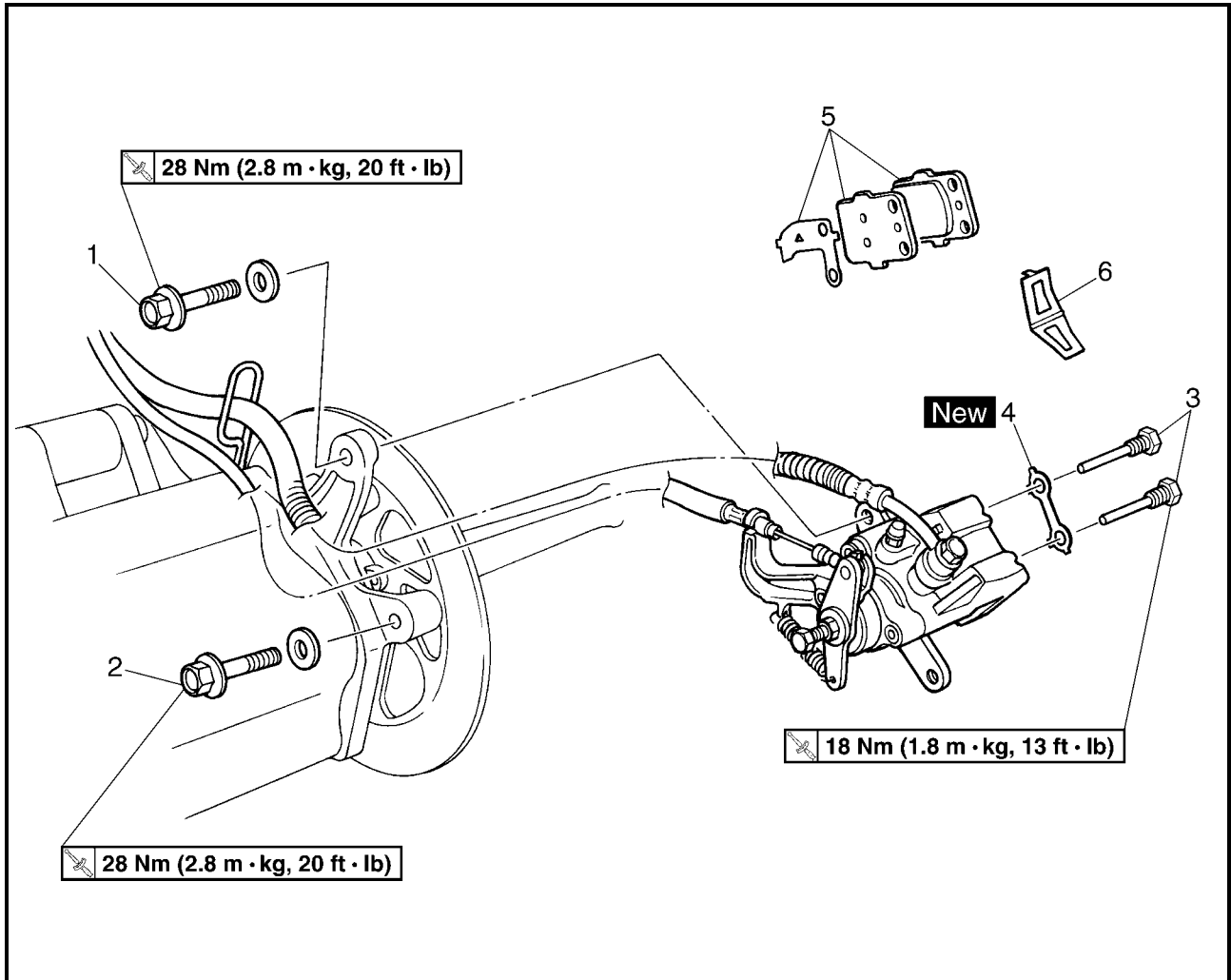


REAR BRAKE PADS



Order	Job name/Part name	Q'ty	Remarks
	Removing rear brake pad		Remove the parts in the order below.
1	Brake caliper mounting bolt	1	Refer to "REPLACING THE REAR BRAKE PAD".
2	Brake caliper mounting bolt	1	
3	Brake pad holding bolt	2	
4	Lock washer	1	
5	Brake pad/pad shim	2/1	
6	Brake pad spring	1	
			For installation, reverse the removal procedure.