

Figure 2-3. Cam Follower Linkage and Locking Lever

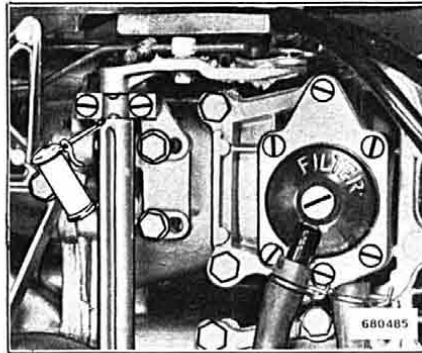


Figure 2-4. Throttle Shaft Bearing and Magneto Linkage

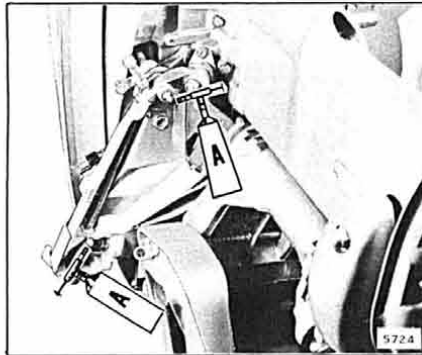


Figure 2-5. Throttle Shaft Bushings and Gears

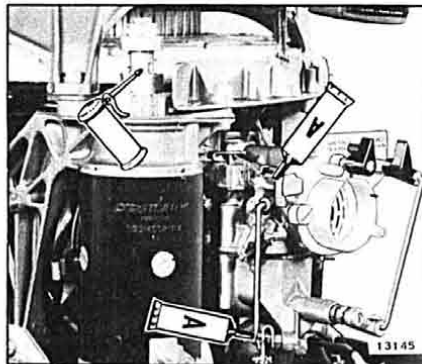


Figure 2-6. Choke Linkage and Starter Pinion Gear Shaft

LUBRICATION POINTS

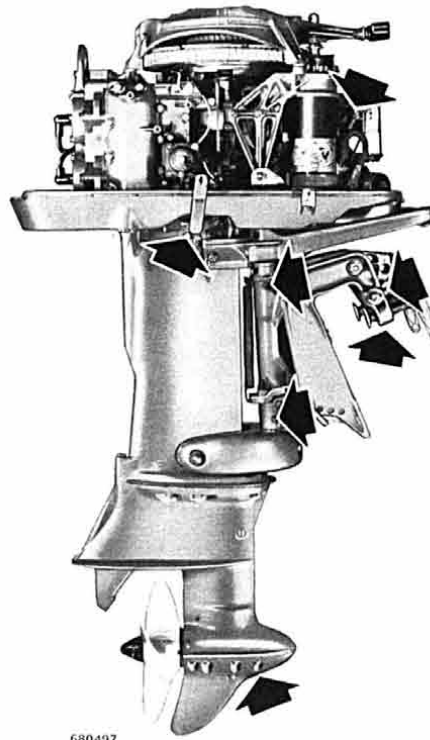


Figure 2-1. Starboard Side, 33 H.P. Electric

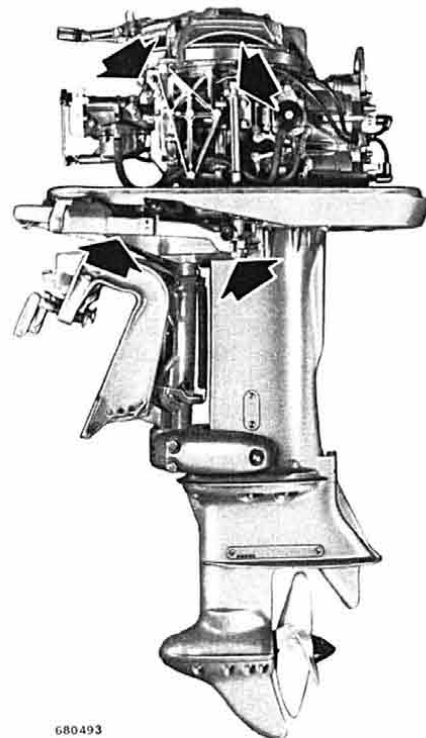


Figure 2-2. Port Side, 33 H.P. Manual Start

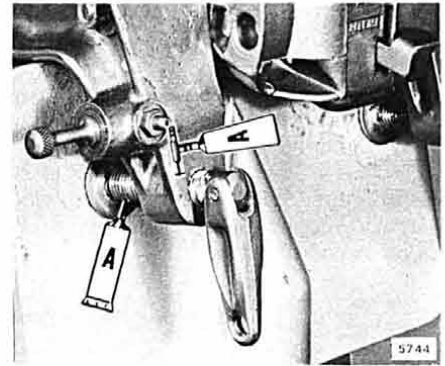


Figure 2-7. Tilt Lock Pin and Clamp Screws

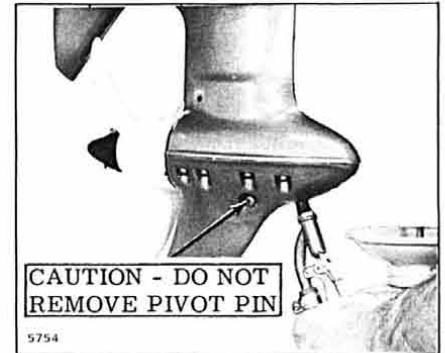


Figure 2-8. Gearcase

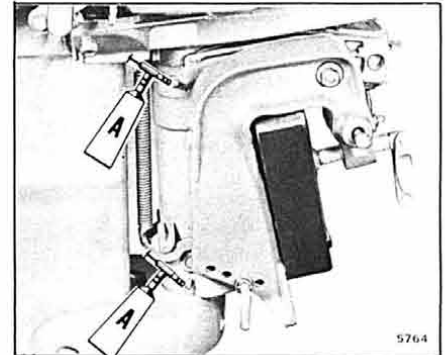


Figure 2-9. Swivel Bracket Fittings and Reverse Lock

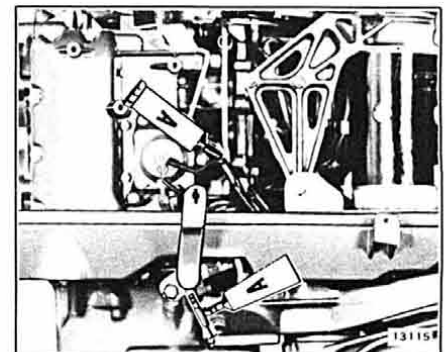


Figure 2-10. Gear Shift Lever Shaft and Lockout